

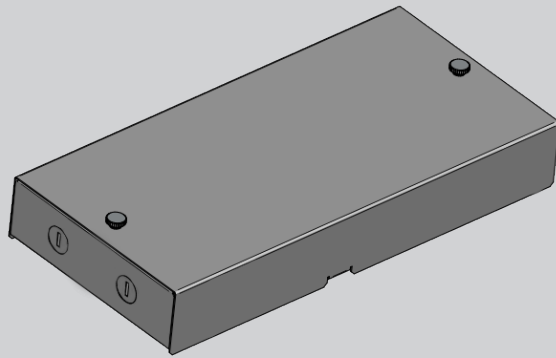


MOVE IT SYSTEM

48 V POWER SUPPLY



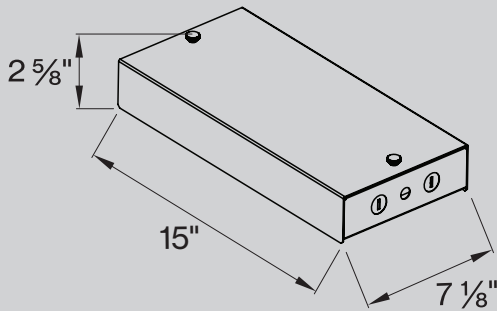
5 YEAR
limited
led warranty



PERFORMANCE

- 0-10 V DIM Single Control
- Up to 260 W power supply

REMOTE POWER SUPPLY DIMENSIONS



10 Business Days for all QuickShip items

- "QuickShip" must be clearly listed on PO.
- QuickShip items must be on Separate Purchase Order.
- QuickShip orders must be received with complete and correct catalog numbers.
- Variant request will not qualify for QuickShip program.
- QuickShip orders must be received before 2 pm EST. After 2 pm, shipping will be based on the next business day.
- QuickShip orders are based on standard XAL terms for payment.
- Order change of any type will affect shipping times.
- Partial shipments may be required based on current factory inventory.

Power Supply

48V DC converter box / 120 / 277 VAC

0-10 V DIM Single Control

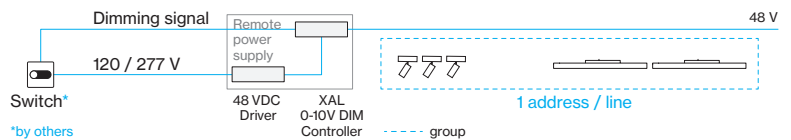
TYPE 0-10V DIM CODE

CS 100W N 8 0 5 6 0 1 0 5 LD

CS 260W N 8 0 5 6 0 2 6 0 LD

Wiring diagrams

0-10 V 1% SINGLE CONTROL



Length range per power supply

POWER SUPPLY	60 W	100 W	150 W	185 W	260 W
Length A	225'	150'	100'	80'	60'

Due to voltage drop and to fulfill EMC requirements, total fixture power [W] must be between 60 and 90% of the power supply's capacity. Calculations at max. capacity of power supply using 14 AWG.



MOVE IT SYSTEM Mounting Instructions

Get access to the MOVE IT SYSTEM mounting instructions faster by scanning the QR code.

<https://www.xalusa.com/resources/mounting-instructions/move-it-system>



xalusa.com