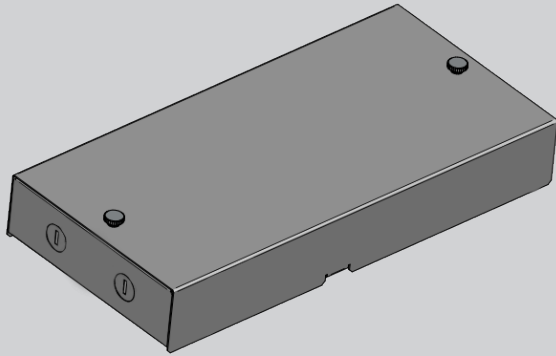


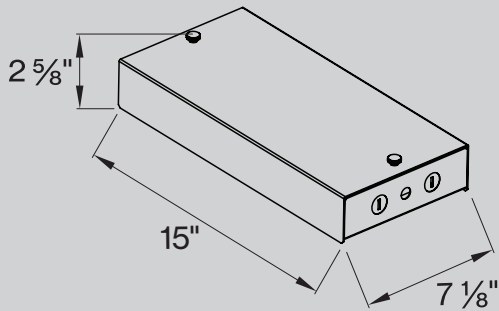
M-LINE POWER SUPPLY



PERFORMANCE

- 0-10 V DIM Single Control
- Up to 260 W power supply

REMOTE POWER SUPPLY DIMENSIONS



10 Business Days for all QuickShip items

- "QuickShip" must be clearly listed on PO.
- QuickShip items must be on Separate Purchase Order.
- QuickShip orders must be received with complete and correct catalog numbers.
- Variant request will not qualify for QuickShip program.
- QuickShip orders must be received before 2 pm EST. After 2 pm, shipping will be based on the next business day.
- QuickShip orders are based on standard XAL terms for payment.
- Order change of any type will affect shipping times.
- Partial shipments may be required based on current factory inventory.



5 YEAR
limited
led warranty

Catalog Number Example

MLPS-REM-BL-TR-SC-UNV-48V-100W-010V

SYSTEM

M-LINE MLPS

G OUTPUT VOLTAGE

48V low constant voltage 48 V
3 pole connection 48V+ / 48V- / PVM

MOUNTING

Remote Box REM

Contact XAL for custom size boxes

H CAPACITY

60W	0 6 0 W
100W	1 0 0 W
150W	1 2 0 W
185W	1 8 5 W
260W	2 6 0 W

HOUSING COLOR

Raw

Contact XAL for powder coated boxes

TYPE

Track TR

I DIMMING

No Dimming NOD
0-10V logarithmic, 1% dimming 0 1 0 V
for 0-10V linear dimming curve contact XAL

CIRCUIT

Single Control SC

Dual Control* DC

*two 0-10V dimming outputs

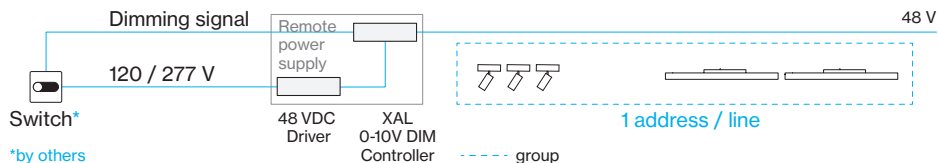
INPUT VOLTAGE

120 - 277V UNV

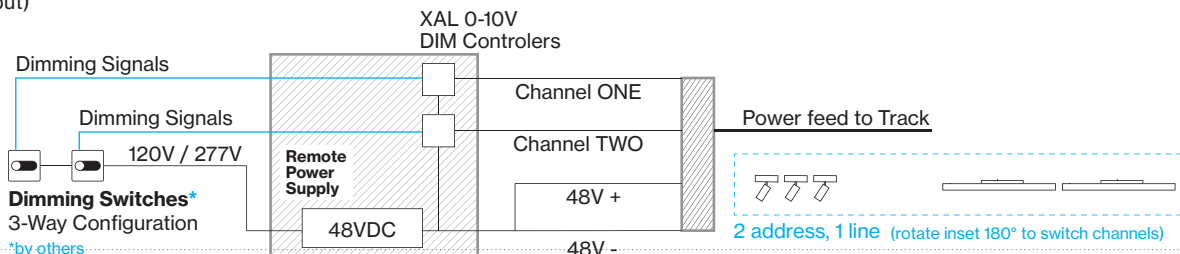


Wiring diagrams

0-10V 1% SINGLE CONTROL



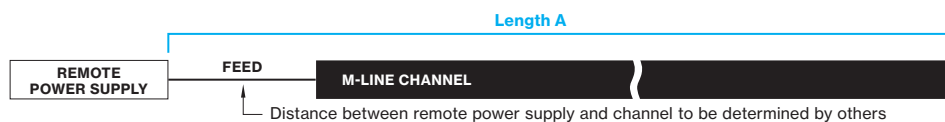
0-10V 1% DUAL CONTROL (two 0-10V dimming output)



Length range per power supply

POWER SUPPLY	60 W	100 W	150 W	185 W	260 W
Length A	225'	150'	100'	80'	60'

Due to voltage drop and to fulfill EMC requirements, total fixture power [W] must be between 60 and 90% of the power supply's capacity. Calculations at max. capacity of power supply using 14 AWG.



M-LINE Mounting Instructions

Get access to the M-LINE mounting instructions faster by scanning the QR code.

<https://www.xalusa.com/resources/mounting-instructions/m-line>

